

## **CITY OF WINLOCK, WASHINGTON**

### **ORDINANCE NO. 1171**

**AN ORDINANCE OF THE CITY OF WINLOCK, WASHINGTON, ENACTING RULES AND REGULATIONS CONCERNING INTERIM ZONING REGULATIONS; AND PROVIDING FOR SEVERABILITY AND ESTABLISHING AN EFFECTIVE DATE.**

#### **RECITALS:**

WHEREAS, the City of Winlock, Washington (the “City”) is a Code City under the laws of the State of Washington; and

WHEREAS, pursuant to RCW 35A.11.020, the City may adopt and enforce ordinances of all kinds relating to and regulating the City’s local or municipal affairs and appropriate to the good government of the City; and

WHEREAS, all references herein to “WMC” shall mean the “Winlock Municipal Code,” and

WHEREAS, Ordinance No. 1081, commonly referred to as the Winlock Development Code, was enacted on November 25, 2019; and

WHEREAS, the City updated its comprehensive plan on June 10, 2019; and

WHEREAS, the City has adopted design guidelines to apply to development within the City, originally adopted in 2007 and reaffirmed and amended in 2020; and

WHEREAS, the City is in the process of updating its zoning regulations; and

WHEREAS, while working through the update process it has been discovered that the City desires to allow developers to use updated street lights, except those located on highway 505; and

WHEREAS, the City is developing faster than the City is able to update its development standards; and

WHEREAS, the City has contracted with its general engineer to update the development code and design guidelines, which will take at least six (6) months; and

WHEREAS, interim zoning controls enacted under RCW 36.70A.390 and/or RCW 35A.63.220 are methods by which local governments may preserve the status quo so that new plans and regulations will not be rendered moot by intervening development; and

WHEREAS, RCW 36.70A.390 and RCW 35A.63.220 both authorize the enactment of an interim zoning map, interim zoning ordinance, or interim official control without holding a public hearing as long as a public hearing is held within at least sixty (60) days of its enactment; and

WHEREAS, an interim zoning ordinance adopted pursuant to RCW 35A.63.220 may be effective for not longer than six (6) months, but may be effective for up to one (1) year if a work plan is developed for related studies providing for such a longer period. An interim zoning ordinance may be renewed for one (1) or more six-month (6) periods if a subsequent public hearing is held and findings of fact are made prior to each renewal; and

WHEREAS, the City Council will conduct a public hearing, within sixty (60) days of the passage of this ordinance, on Monday, August 26, 2024, at 6:00 pm regarding the Interim Zoning Controls; and

WHEREAS, pursuant to WAC 197-11-880, the adoption of this interim zoning ordinance is exempt from the requirements of a threshold determination under the State Environmental Policy Act (SEPA) and future permanent zoning regulations will be reviewed in accordance with SEPA Rules; and

WHEREAS, interim zoning will provide the City with additional time to review and amend its public health, safety, and welfare requirements and zoning and land use regulations; and

WHEREAS, the City Council concludes that it has the authority to establish an interim zoning ordinance and that the City the following street lighting regulations; and

WHEREAS, the City Council adopts the foregoing as its findings of facts justifying the adoption of this Ordinance.

**NOW, THEREFORE, THE CITY COUNCIL OF THE CITY OF WINLOCK, WASHINGTON, DO ORDAIN AS FOLLOWS:**

**Section 1. Findings of Fact.** The City Council adopts the above “WHEREAS” recitals as findings of fact in support of its action as required by 36.70A.390 and RCW 35A.63.220.

**Section 2. Public Hearing.** The City Clerk is hereby authorized and directed to schedule a public hearing on the moratorium to be held on August 26, 2024, or within sixty (60) days of adoption of this ordinance, and to provide notice of said hearing in accordance with applicable standards and procedures.

**Section 3. Interim Controls are Established for Design Guidelines.** The Winlock Design Guidelines are amended to include and establish optional interim controls for street lighting not on highway 505 as set forth in the attached Exhibit A.

**Section 4. Duration of Interim Zoning.** This interim zoning shall be in effect for six (6) months, beginning on August 12<sup>th</sup>, 2024, and ending on December 31, 2024, unless an ordinance

is adopted amending the Winlock Municipal Code and rescinding the interim zoning before December 31, 2024.

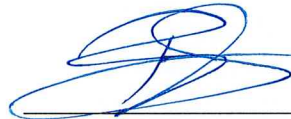
**Section 5. Work Plan.** During the interim zoning period, City staff will study the issues concerning street lighting and include that work with the ongoing development code and design guidelines update. Staff will prepare a draft ordinance, and conduct the public review process, including public hearings before the City’s Planning Commission and City Council, as required for amendments to the City’s development regulations.

**Section 6. Severability.** If any section, sentence, clause, or phrase of this Ordinance should be held to be unconstitutional or unlawful by a court of competent jurisdiction, such invalidity or unconstitutionality shall not affect the validity or constitutionality of any other section, sentence, clause, or phrase of this Ordinance.

**Section 7. Effective Date.** This ordinance shall take effect five (5) days after its publication, or publication of a summary thereof, in the City's official newspaper, or as otherwise provided by law.


**Section 8. Corrections.** Upon approval of the City Attorney, the City Clerk and the codifiers of this ordinance are authorized to make necessary corrections to this ordinance including, but not limited to, the correction of scrivener’s/clerical errors, references, ordinance numbers, section/subsection numbers, and any references thereto.

**PASSED** by the Council of the City of Winlock, Washington, and **APPROVED** by the Mayor of the City of Winlock at a regularly scheduled open public meeting thereof, this \_\_\_ day of August, 2024.




Brandon Svenson, Mayor

Attest:

  
Penny Jo Haney, City Clerk

Approved as to form:

  
Marissa Y. Jay, WSBA # 55593  
City Attorney

Approved Reading: 8/12 /2024  
Publication Date: 8/15 /2024  
Effective Date: 8/20 /2024

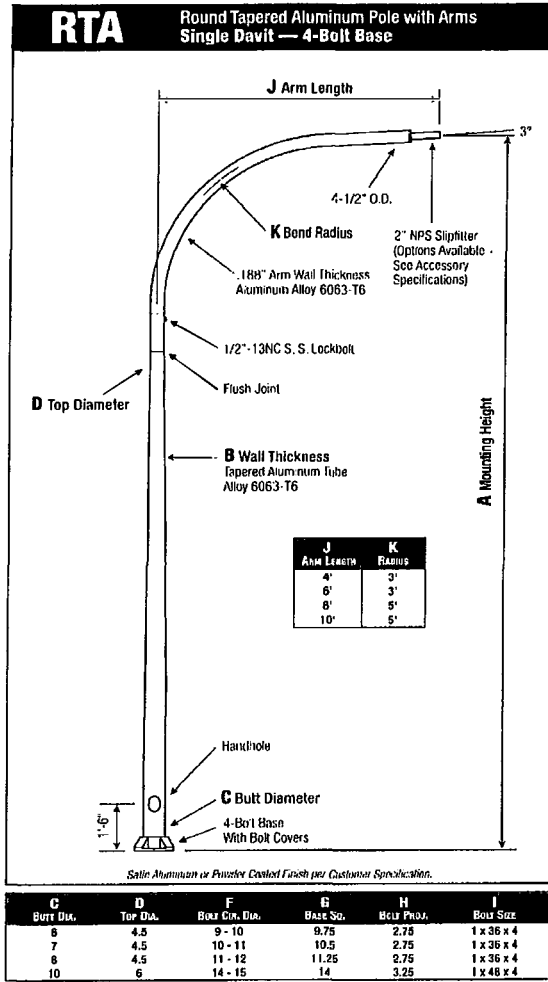
EXHIBIT A

# EXHIBIT "A"



Manufacturer: HAPCO  
Model Number: RTA30C8B4D1A01

Type:  
**POLE**



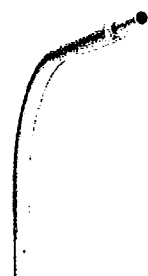
**Pole**  
Shaft and arm will be constructed of seamless extruded tube of 6063 Aluminum Alloy per the requirements of ASTM B221. The shaft assembly shall be full-length heat treated after base weld to produce a T6 temp.

**Base Style**  
J-Bolt Cast Aluminum Base Flange of Alloy 356-T6 with Aluminum Die Cast Covers (Alloy 356-T6) and Stainless Steel Hex Head Anchoring Screws.

**Handhole**  
6" Butt Diameter - Reinforced, 3" x 5" curved Cast Aluminum Frame (Alloy 356-T6) with Aluminum Die Cast Cover (2 SS Hex Head Screws). A Grounding Provision corresponding a 3/8" diameter hole is provided opposite the Handhole.  
7" Butt Diameter - Reinforced, 4" x 6" curved Cast Aluminum Frame (Alloy 356-T6) with Aluminum Die Cast Cover (2 SS Hex Head Screws). Reinforced Frame will contain a lapped 3/8" x 1/4" Grounding Provision.

**Anchorage**  
Anchorage Kit will include four (4) L-shaped Steel Anchor Bolts conforming to AASHTO A131-I-90 Grade 55, 101 widths (10") if needed and will be galvanized per ASTM A153. Kits will contain four (4) Hex Nuts, four (4) Lock Washers, and four (4) Flat Washers (all components galvanized steel). A Bolt circle template will be provided.

**Vibration Damper**  
When determined necessary by Hapco, a Vibration Damper will be factory-installed inside the pole shaft. Customer specification of the damper is available.



WARNING: Do not install light poles without anchors.

52 **hapco** HAPCO INDUSTRIES, INC.

Prepared By: Graybar - Portland  
June 13, 2024

Janis Christensen | janis.christensen@graybar.com

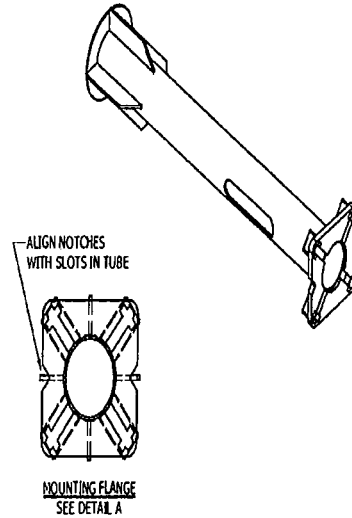
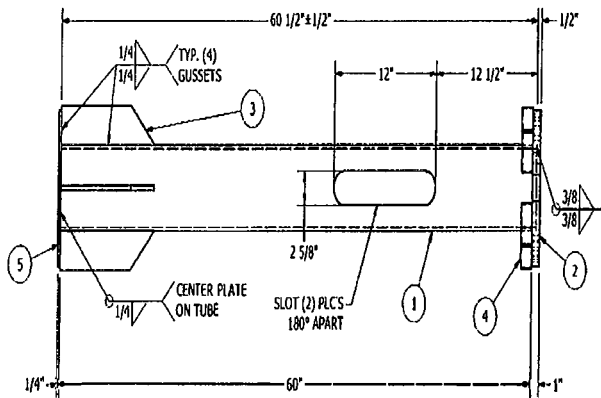
Note: No receptacles on the poles



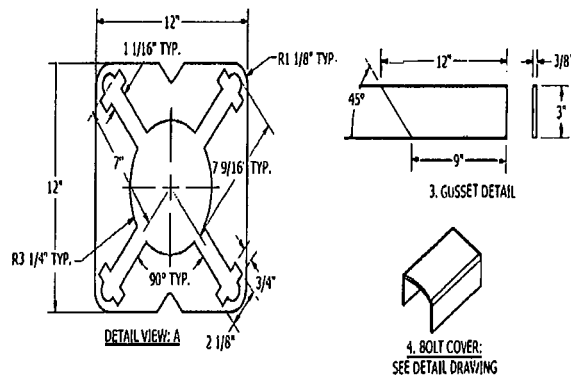
Manufacturer: MISC  
 Model Number: ECP-BTW-663-60-COV

Type:  
 ECP

HOT DIP GALVANIZE TO ASTM A123 LATEST REVISION  
 ALL DIMENSIONS ARE  $\pm 1/16$ " U.N.O.



| ITEM | QTY. | PART NO. / DESCRIPTION                   |
|------|------|--|
| 1    | 1    | 6-5/8" Ø x 0.280" WALL TUBE x 5'-1/2" LG |
| 2    | 1    | LBP-6ES-12S-COV: MOUNTING FLANGE         |
| 3    | 4    | 3" x 12" x 3/8" GUSSET PLATE             |
| 4    | 4    | LBP-6ES-12S+ BOLT COVER                  |
| 5    | 1    | BTP-12-BSP: BASE SUPPORT PLATE           |
| 6    | 4    | 1" Ø x 4" CARRIAGE BOLTS                 |
| 7    | 4    | 1" Ø FLAT WASHER                         |
| 8    | 4    | 1" Ø HEX NUT                             |



|                 |  |                         |
|-----------------|--|-------------------------|
| Sparrow Landing | DRAWING #: BTP-663-60-COV  | SHEET 1 OF 1            |
|                 | DRAWING DESCRIPTION:<br>MODIFIED FOUNDATION STANDARD W/<br>BLUNT END CUT 6 1/2" Ø x 5'-0" NOM. |                         |
|                 | MAT: ASTM A123   | SCALE: 1/8 UNITS: FT-IN |
| www.GETECP.com  | DRAWN BY: GDR  | DATE: 3/5/2024          |

Prepared By: Graybar - Portland

Janis Christensen | janis.christensen@graybar.com

June 13, 2024

Note: These bases to be used as an alternate to Concrete bases



Manufacturer: CREE  
 Model Number: XSPSM-D-HT-2ME-8L-40K7-UL-SV-N

Type: HEAD

## XSP Series

XSPSM LED Street/Area Luminaire - Small

Rev. Date: V10 10/19/2022

### Product Description

In addition to a low initial cost, the XSPSM LED Street/Area luminaire maintains the familiar look of the traditional cobrahead design and delivers substantial energy savings while reducing maintenance time and costs. The hassle-free design of the XSP small luminaire includes tool-less entry and 1/2" 5" leveling for easy installation. Our NanoOptic™ Precision Delivery Grid™ optic achieves better optical control than traditional street and area lighting fixtures and efficiently delivers white uniform light for safer-looking communities.

Applications: Residential roads, collector roads, parking lots, and general area spaces

### Performance Summary

NanoOptic™ Precision Delivery Grid™ optic

Assembled in the USA by Cree Lighting from US and imported parts

Initial Delivered Lumens: Up to 7,825

Efficacy: Up to 126 LPW

CRh Minimum 70 CRI

CCT: 3600K, 4000K, 5000K, 5700K

Limited Warranty\*: 10 years on luminaire; 10 years on Coterfast DeltaGuard® finish; up to 5 years for Synapse® accessories; 1 year on luminaire accessories

\*See [www.cree.com](#) for warranty terms. For Synapse accessories, consult Synapse spec sheets for detailed warranty terms.

### Accessories

#### Field-Installed

Backlight Control Shield XA-SB02BLIS

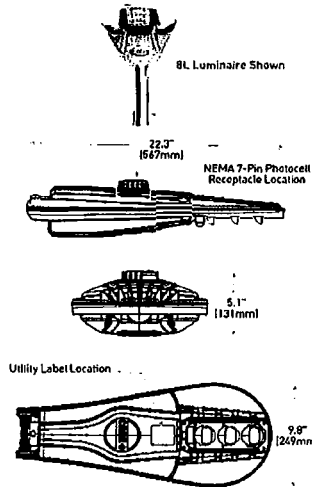
Blind Spikes XSB-BR06CRDS

Prevents 1 inch high height cutoff

Polycarbonate cover caps

Refer to install deterring luminaire tables for luminaire output

Sharding Cap XA-XSL5-SRT



| Lumen Packages | Weight          |
|----------------|-----------------|
| SL             | 9.0 lbs (4.1kg) |
| SL w/DAL       | 9.4 lbs (4.3kg) |
| EL             | 9.2 lbs (4.2kg) |

### Ordering Information

Example: XSPSM D HT 2LG SL 30K7 UL SV N

| XSPSM   | D       | HT                          | N  |                 |         |         |               |                          |  |
|---------|---------|-----------------------------|--|-----------------|---------|---------|---------------|--------------------------|--|
| Product | Version | Mounting*                   | Optic  | Lumen Package** | CCT/CRI | Voltage | Color Options | Utility Label/Receptacle | Options  |
| XSPSM   | D       | HT<br>Flushmount<br>Tension | Asymmetric<br>2LG**<br>Type II Long<br>2ME**<br>Type II Med Lum<br>2ME**<br>Type III Medium<br>4ME**<br>Type IV Medium<br><br>Symmetric<br>SSH<br>Type V Short | SL              | 30K7    | UL      | BK            | N                        | 20KV 20W/10KA Surge Suppression<br>- Replaces standard 20W/5KA surge protection<br>UL1 DALI Compatible<br>- Available with UL voltage only<br>Not available with 0 or X voltages<br>0V/0V/0V/0V/0V/0V/0V/0V/0V<br>Field Adjustable Output<br>- Must select 07, 08, 07, 04, 05, 03, 02, or 01<br>- Offers full range lumen adjustability<br>- Includes warning label for setting selected<br>- Refer to pages B & 9 for cover and lumen values<br>- Luminaire may also be dimmed through 7-Pin receptacle with use of dimming control by other's<br><br>XBIXT/7A/7B/7C/7D/7E/7F/7G/7H/7I/7J/7K/7L/7M/7N/7O/7P/7Q/7R/7S/7T/7U/7V/7W/7X/7Y/7Z/7AA/7AB/7AC/7AD/7AE/7AF/7AG/7AH/7AI/7AJ/7AK/7AL/7AM/7AN/7AO/7AP/7AQ/7AR/7AS/7AT/7AU/7AV/7AW/7AX/7AY/7AZ/7BA/7BB/7BC/7BD/7BE/7BF/7BF/7BG/7BH/7BI/7BJ/7BK/7BL/7BM/7BN/7BO/7BP/7BQ/7BR/7BS/7BT/7BU/7BV/7BW/7BX/7BY/7BZ/7CA/7CB/7CC/7CD/7CE/7CF/7CF/7CG/7CH/7CI/7CJ/7CK/7CL/7CM/7CN/7CO/7CP/7CQ/7CR/7CS/7CT/7CU/7CV/7CW/7CX/7CY/7CZ/7DA/7DB/7DC/7DD/7DE/7DF/7DF/7DG/7DH/7DI/7DJ/7DK/7DL/7DM/7DN/7DO/7DP/7DQ/7DR/7DS/7DT/7DU/7DV/7DW/7DX/7DY/7DZ/7EA/7EB/7EC/7ED/7EE/7EE/7EF/7EG/7EH/7EI/7EJ/7EK/7EL/7EM/7EN/7EO/7EP/7EQ/7ER/7ES/7ET/7EU/7EV/7EW/7EX/7EY/7EZ/7FA/7FB/7FC/7FD/7FE/7FE/7FF/7FG/7FH/7FI/7FJ/7FK/7FL/7FM/7FN/7FO/7FP/7FQ/7FR/7FS/7FT/7FU/7FV/7FW/7FX/7FY/7FZ/7GA/7GB/7GC/7GD/7GE/7GE/7GF/7GG/7GH/7GI/7GJ/7GK/7GL/7GM/7GN/7GO/7GP/7GQ/7GR/7GS/7GT/7GU/7GV/7GW/7GX/7GY/7GZ/7HA/7HB/7HC/7HD/7HE/7HE/7HF/7HG/7HH/7HI/7HJ/7HK/7HL/7HM/7HN/7HO/7HP/7HQ/7HR/7HS/7HT/7HU/7HV/7HW/7HX/7HY/7HZ/7IA/7IB/7IC/7ID/7IE/7IE/7IF/7IG/7IH/7II/7IJ/7IK/7IL/7IM/7IN/7IO/7IP/7IQ/7IR/7IS/7IT/7IU/7IV/7IV/7IW/7IX/7IY/7IZ/7JA/7JB/7JC/7JD/7JE/7JE/7JF/7JG/7JH/7JI/7JJ/7JK/7JL/7JM/7JN/7JO/7JP/7JQ/7JR/7JS/7JT/7JU/7JV/7JV/7JW/7JX/7JY/7JZ/7KA/7KB/7KC/7KD/7KE/7KE/7KF/7KG/7KH/7KI/7KJ/7KK/7KL/7KM/7KN/7KO/7KP/7KQ/7KR/7KS/7KT/7KU/7KV/7KV/7KW/7KX/7KY/7KZ/7LA/7LB/7LC/7LD/7LE/7LE/7LF/7LG/7LH/7LI/7LJ/7LK/7LL/7LM/7LN/7LO/7LP/7LQ/7LR/7LS/7LT/7LU/7LV/7LV/7LW/7LX/7LY/7LZ/7MA/7MB/7MC/7MD/7ME/7ME/7MF/7MG/7MH/7MI/7MJ/7MK/7ML/7MM/7MN/7MO/7MP/7MQ/7MR/7MS/7MT/7MU/7MV/7MV/7MW/7MX/7MY/7MZ/7NA/7NB/7NC/7ND/7NE/7NE/7NF/7NG/7NH/7NI/7NJ/7NK/7NL/7NM/7NN/7NO/7NP/7NQ/7NR/7NS/7NT/7NU/7NV/7NV/7NW/7NX/7NY/7NZ/7OA/7OB/7OC/7OD/7OE/7OE/7OF/7OG/7OH/7OI/7OJ/7OK/7OL/7OM/7ON/7OO/7OP/7OQ/7OR/7OS/7OT/7OU/7OV/7OV/7OW/7OX/7OY/7OZ/7PA/7PB/7PC/7PD/7PE/7PE/7PF/7PG/7PH/7PI/7PJ/7PK/7PL/7PM/7PN/7PO/7PP/7PQ/7PR/7PS/7PT/7PU/7PV/7PV/7PW/7PX/7PY/7PZ/7QA/7QB/7QC/7QD/7QE/7QE/7QF/7QG/7QH/7QI/7QJ/7QK/7QL/7QM/7QN/7QO/7QP/7QQ/7QR/7QS/7QT/7QU/7QV/7QV/7QW/7QX/7QY/7QZ/7RA/7RB/7RC/7RD/7RE/7RE/7RF/7RG/7RH/7RI/7RJ/7RK/7RL/7RM/7RN/7RO/7RP/7RQ/7RR/7RS/7RT/7RU/7RV/7RV/7RW/7RX/7RY/7RZ/7SA/7SB/7SC/7SD/7SE/7SE/7SF/7SG/7SH/7SI/7SJ/7SK/7SL/7SM/7SN/7SO/7SP/7SQ/7SR/7SS/7ST/7SU/7SV/7SV/7SW/7SX/7SY/7SZ/7TA/7TB/7TC/7TD/7TE/7TE/7TF/7TG/7TH/7TI/7TJ/7TK/7TL/7TM/7TN/7TO/7TP/7TQ/7TR/7TS/7TT/7TU/7TV/7TV/7TW/7TX/7TY/7TZ/7UA/7UB/7UC/7UD/7UE/7UE/7UF/7UG/7UH/7UI/7UJ/7UK/7UL/7UM/7UN/7UO/7UP/7UQ/7UR/7US/7UT/7UU/7UV/7UV/7UW/7UX/7UY/7UZ/7VA/7VB/7VC/7VD/7VE/7VE/7VF/7VG/7VH/7VI/7VJ/7VK/7VL/7VM/7VN/7VO/7VP/7VQ/7VR/7VS/7VT/7VU/7VV/7VV/7VW/7VX/7VY/7VZ/7WA/7WB/7WC/7WD/7WE/7WE/7WF/7WG/7WH/7WI/7WJ/7WK/7WL/7WM/7WN/7WO/7WP/7WQ/7WR/7WS/7WT/7WU/7WV/7WV/7WW/7WX/7WY/7WZ/7XA/7XB/7XC/7XD/7XE/7XE/7XF/7XG/7XH/7XI/7XJ/7XK/7XL/7XM/7XN/7XO/7XP/7XQ/7XR/7XS/7XT/7XU/7XV/7XV/7XW/7XX/7XY/7XZ/7YA/7YB/7YC/7YD/7YE/7YE/7YF/7YG/7YH/7YI/7YJ/7YK/7YL/7YM/7YN/7YO/7YP/7YQ/7YR/7YS/7YT/7YU/7YV/7YV/7YW/7YX/7YY/7YZ/7ZA/7ZB/7ZC/7ZD/7ZE/7ZE/7ZF/7ZG/7ZH/7ZI/7ZJ/7ZK/7ZL/7ZM/7ZN/7ZO/7ZP/7ZQ/7ZR/7ZS/7ZT/7ZU/7ZV/7ZV/7ZW/7ZX/7ZY/7ZZ |

\*Reference LED output and efficacy per luminaire table for more details  
 \*\*Available with 0 or X voltages (0V/0V/0V/0V/0V/0V/0V/0V/0V)  
 \*\*\*Lumen Package Select: Refer to luminaire output table for Lumen and efficacy values. Actual Lumen and efficacy may vary depending on CCT and CRI values and Photometric Delivered Lumen values for specific luminaire.

UL  
 RoHS  
 ENEC  
 US: [cree.com](http://cree.com) (800) 236-6800  
 Canada: [cree.com](http://cree.com) (800) 473-1234





Manufacturer: MIL  
Model Number: CP3B11C15AALSP7

Type:  
**PED**

Catalog Number:  
**CP3B11C15AALSP7**  
CAT. # was CP3B1115AALSP2

120/240 VAC, 1-phase, 3-wire; 100 Amps Maximum, (see Main circuit breaker rating)  
Rainproof - Type 3R, Aluminum Enclosure, Anodized Coating Clear  
Enclosed Industrial Control - Suitable ONLY for Use as Service Equipment  
The short circuit current rating is 10,000 RMS symmetrical amperes maximum at 240volts maximum, in accordance with the table below, but is limited to the lowest short circuit rating of any installed circuit breaker. Wathour meter is not included in the short circuit rating.  
Replacement circuit breakers must be of the same type and rating.

**METERED CIRCUIT DIRECTORY**

| No. | Amp. | Poles | Circuit Description | No. | Amp. | Poles | Circuit Description |
|-----|------|-------|---------------------|-----|------|-------|---------------------|
| 1   | 100  | 2     | Main                | 2   | 30   | 2     | Lighting            |
| 3   |      |       |                     | 4   |      |       |                     |
| 5   |      |       |                     | 6   | 30   | 2     | Lighting            |
| 7   |      |       |                     | 8   |      |       |                     |
| 9   |      |       |                     | 10  | 15   | 1     | Control             |
| 11  |      |       |                     | 12  |      |       |                     |
| 13  |      |       |                     | 14  |      |       |                     |
| 15  |      |       |                     | 16  |      |       |                     |

**NO PE SHIELD**

| AIC RATING | MAIN  | BRANCHES   |
|------------|---|--|
| 10         | MILBANK TYPE MOP: SIEMENS<br>TYPE QP: CUTLER HAMMER TYPE<br>HQP, BR: GE TYPE THQL | MILBANK TYPE: MOP: SIEMENS TYPE: OP (1-POLE 70A<br>MAX), QT, QPF: CUTLER-HAMMER TYPE: BR, QFCB, HQP,<br>QPOF: GE TYPE TQL, THQL, THQL-GF |

Circuit breaker handle trip position is between "ON" and "OFF". To reset breaker, move handle to the full "OFF" position, then to full "ON".

**Terminal Information, Use AL/CU conductors**

| FIELD WIRED CONNECTORS |               |                     |           | BUS CONNECTIONS      |           |       |      | For Equipment Ground ONLY, multiple conductors in a single race, depending on the performance table indicated below. |           |           |            |       |
|------------------------|---------------|---------------------|-----------|----------------------|-----------|-------|------|--|-----------|-----------|------------|-------|
| Screw Size             | Torque LB-in. | SLOTTED HEAD SCREWS |           | THREADFORMING SCREWS |           | Screw | MATL | Torque LB-in.  | AWG       |           | Large Hole | Price |
|                        |               | Wire Size           | Wire Size | Wire Size            | Wire Size |       |      |  | Wire Size | Wire Size |            |       |
| 5/16"                  | 275           | #14-10              | 20        | 35                   | 10-24     | AL    | 30   | #14 10   | 1-2       | 1-2       |            |       |
| 3/8"                   | 375           | #8                  | 25        | 40                   | 10-24     | CU    | 30   | #10  | 1         | 3         |            |       |
| 1/2"                   | 500           | #6                  | 35        | 45                   | 7-20      | AL    | 50   | #8-6   | 1         | 1         |            |       |
| 9/16"                  | 690           | #1                  | -         | 46                   | 5-20      | CU    | 72   | #3-10  | 1         | 1         |            |       |
|                        |               | #3-10               | -         | 54                   |           |       |      | #3-10  | 1         | 1         |            |       |

Shipping may loosen electrical connections CHECK TIGHTNESS BEFORE ENERGIZING.

**BONDED NEUTRAL** - Remove neutral load conductors for test purposes only! FIELD INSTALLED conductors shall be 80°C, 75°C, or 90°C, sized to 60°C rating for 110 amps or less; and 75°C or 90°C for 125 amps and above.

REV B 03/25/22 050202 JWb



Sheet 1 of 2



Prepared By: Graybar - Portland

Janis Christensen | janis.christensen@graybar.com

June 13, 2024

16

Index T



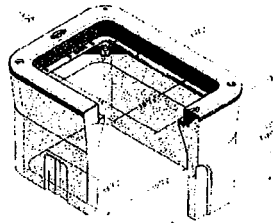
# N09

CHRISTY

COVER

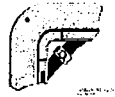


BODY



EXTENSION

LOAD RATING / NOTES



Oldcastle Infrastructure

OldcastleInfrastructure.com  
(800) 735-5566

# N09

CHRISTY

COVER OPTIONS



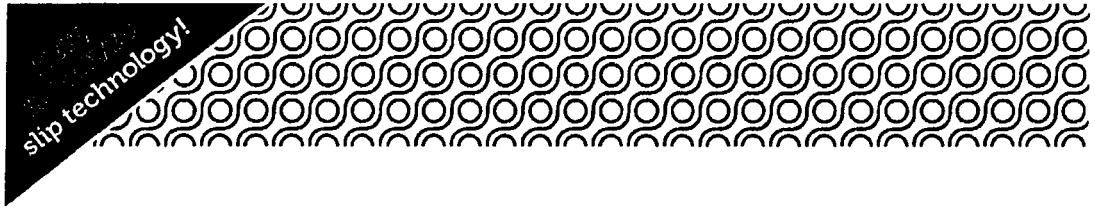
COVER OPTIONS



Oldcastle Infrastructure

OldcastleInfrastructure.com  
(800) 735-5566

Note: Junction boxes to be only used where there is a three way split. (No J-boxes at all the poles)



## Thermoplastic-Insulated Copper

600V  
90°C insulation  
14 AWG = 1000 kcmil



Thermoplastic-insulated copper wire with a nylon covering. Sizes 8 AWG through 1000 kcmil feature Cerrowire SLiPWire<sup>®</sup> Technology for fast and easy pulling in conduit. This 90°C, 600 volt building wire is for use in residential, commercial and industrial applications. Intended for use in accordance with the National Electrical Code<sup>®</sup> in both wet and dry locations, Sunlight resistant in black only 8 AWG through 1000 kcmil. Conductors 14 AWG through 1 AWG are marked VW-1 and 1/0 AWG through 1000 kcmil are rated for use in cable tray. When used as appliance wire, 105°C dry rated.

Solid conductors: Soft, uncoated copper per ASTM B3  
Stranded conductors: Uncoated copper per ASTM B3, B8, and B787  
Insulation: Nylon (polyamide) color-coded THHN/THWN-2. Sizes 8 AWG through 1000 kcmil SLiPWire<sup>®</sup> are self-lubricated with Cerrowire's Self-Lubricating Polymer Technology. Sizes 1 AWG and larger are available printed with True Sequential Footage<sup>™</sup> on master reels. Stripes available on 14 AWG to 10 AWG.

UL 83: E15119      ASTM B3  
UL 1063: E85964    ASTM B8  
AWM: E11829      ASTM B787  
  
Federal Specification A-A-59544  
NFPA 70 (National Electrical Code)  
NEMA WC 70 Construction Requirements  
RoHS/REACH Compliant

MaxPrint<sup>®</sup> for easy identification!  
Sample: CERROWIRE 250 KCMIL (UL)  
THHN/THWN-2/MTW/AWM GR II CT  
SR 600V (Additional information may be included.)

|      |       |    |   |       |      |
|------|-------|----|---|-------|------|
| 14   | Solid | 15 | 4 | 0.104 | 15   |
| 12   | Solid | 15 | 4 | 0.12  | 23   |
| 10   | Solid | 20 | 4 | 0.151 | 37   |
| 14   | 19    | 15 | 4 | 0.111 | 16   |
| 12   | 19    | 15 | 4 | 0.13  | 24   |
| 10   | 19    | 20 | 4 | 0.164 | 39   |
| 8    | 19    | 30 | 5 | 0.216 | 61   |
| 6    | 19    | 30 | 5 | 0.254 | 93   |
| 4    | 19    | 40 | 6 | 0.324 | 149  |
| 3    | 19    | 40 | 6 | 0.352 | 184  |
| 2    | 19    | 40 | 6 | 0.384 | 225  |
| 1    | 19    | 50 | 7 | 0.446 | 288  |
| 1/0  | 19    | 50 | 7 | 0.486 | 357  |
| 2/0  | 19    | 50 | 7 | 0.532 | 441  |
| 3/0  | 19    | 50 | 7 | 0.584 | 550  |
| 4/0  | 19    | 50 | 7 | 0.642 | 692  |
| 250  | 37    | 60 | 8 | 0.711 | 825  |
| 300  | 37    | 60 | 8 | 0.766 | 985  |
| 350  | 37    | 60 | 8 | 0.817 | 1142 |
| 400  | 37    | 60 | 8 | 0.864 | 1296 |
| 500  | 37    | 60 | 8 | 0.949 | 1599 |
| 600  | 61    | 70 | 9 | 1.051 | 1934 |
| 750  | 61    | 70 | 9 | 1.156 | 2424 |
| 1000 | 61    | 70 | 9 | 1.31  | 3300 |

- Black
- White
- Red
- Orange
- Yellow
- Green
- Blue
- Purple
- Pink
- Brown
- Grey



Data are approximate and subject to normal manufacturing tolerances. Strand counts may vary for SLW constructions. It is the sole responsibility of the end user to determine suitability of this product for its intended use and application. Most colors available on all sizes; call Cerrowire to verify. Other colors may be available upon request.

**cerrowire** Electrical Distribution 800.523.3869  
cerrowire.com

UL LISTED  
©2019 Cerrowire Rev 01/2022  
A Marmon/Berkshire Hathaway Company

# Prime Conduit, Inc.

## Schedule 40 PVC Rigid Nonmetallic Conduit



- ETL Listed to UL651 in compliance with the NEC
- Heavy Wall EPC
- Listed for underground applications encased in concrete or direct burial.
- Also for use in exposed or concealed applications aboveground.
- Sunlight resistant
- Rated for use with 90°C conductors
- Superior weathering characteristics
- Made in USA



| Part Number |           | Trade Size | Std. Crate Qty. |       | Wt. Per 100' | Dimensions |       |       |
|-------------|-----------|------------|-----------------|-------|--------------|------------|-------|-------|
| 10'         | 20'       |            | 10'             | 20'   |              | O.D.       | I.D.  | Wall  |
| 49005-010   | -         | 1/2"       | 6000'           | -     | 17           | 0.840      | 0.622 | 0.109 |
| 49007-010   | 49007-020 | 3/4"       | 4400'           | 8800' | 23           | 1.050      | 0.824 | 0.113 |
| 49008-010   | 49008-020 | 1"         | 3600'           | 7200' | 34           | 1.315      | 1.049 | 0.133 |
| 49009-010   | 49009-020 | 1 1/4"     | 3300'           | 6600' | 46           | 1.660      | 1.380 | 0.140 |
| 49010-010   | 49010-020 | 1 1/2"     | 2250'           | 4500' | 55           | 1.900      | 1.610 | 0.145 |
| 49011-010   | 49011-020 | 2"         | 1400'           | 2800' | 73           | 2.375      | 2.067 | 0.154 |
| 49012-010   | 49012-020 | 2 1/2"     | 930'            | 1860' | 124          | 2.875      | 2.469 | 0.203 |
| 49013-010   | 49013-020 | 3"         | 880'            | 1760' | 163          | 3.500      | 3.068 | 0.216 |
| 49014-010   | 49014-020 | 3 1/2"     | 630'            | 1260' | 196          | 4.000      | 3.548 | 0.226 |
| 49015-010   | 49015-020 | 4"         | 570'            | 1140' | 232          | 4.500      | 4.026 | 0.237 |
| 49016-010   | 49016-020 | 5"         | 380'            | 760'  | 315          | 5.563      | 5.047 | 0.258 |
| 49017-010   | 49017-020 | 6"         | 260'            | 520'  | 409          | 6.625      | 6.065 | 0.280 |

\*With Integral Bell



### Notes:

1. Rigid nonmetallic conduit is normally supplied in standard 10' lengths, with one belled end per length. For specific requirements, it may be produced in lengths shorter or longer than 10', with or without belled ends
2. Special conduit sizes will be quoted on request.
3. DON'T FORGET TO ORDER CEMENT.
4. Use RNC Fittings with Schedule 40 and Schedule 80 Conduit
5. Prime Conduit reserves the right to ship to the nearest unitized quantity.